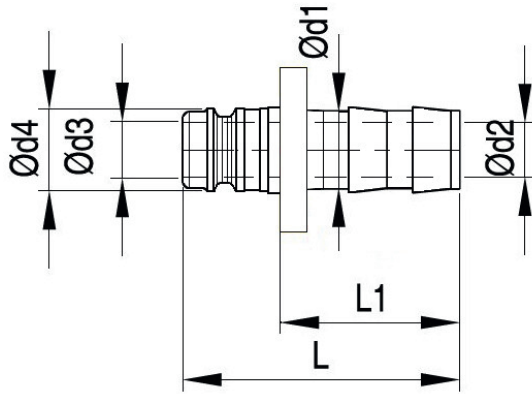


**K7135 Stecknippel mit Schlauchtülle "Push-to-Lock",  
mit freiem Durchgang**

**Hose nipple "Push-to-Lock",  
without valve**




Material: **Standardversion / Standard version**

Grundkörper: Messing / Body: Brass

Temp: -20 °C - +200 °C (-40 °F - +390 °F)

P= Stück / Normpackung // Pieces/ standard pack

| d2   | d3   | L    | L1   | P  | d4   | d1   | <br>Bestellnummer<br>Order Number<br>ohne Ventil / without Valve |
|------|------|------|------|----|------|------|---|
| (mm) | (mm) | (mm) | (mm) |    | (mm) | (mm) |   |
| 7,5  | 6    | 44   | 24   | 10 | 9    | 10   | K7135- 9 -10  |
| 10   | 9    | 45   | 28   |    | 13   | 13   | K7135-13-13   |